

%

&

(

)

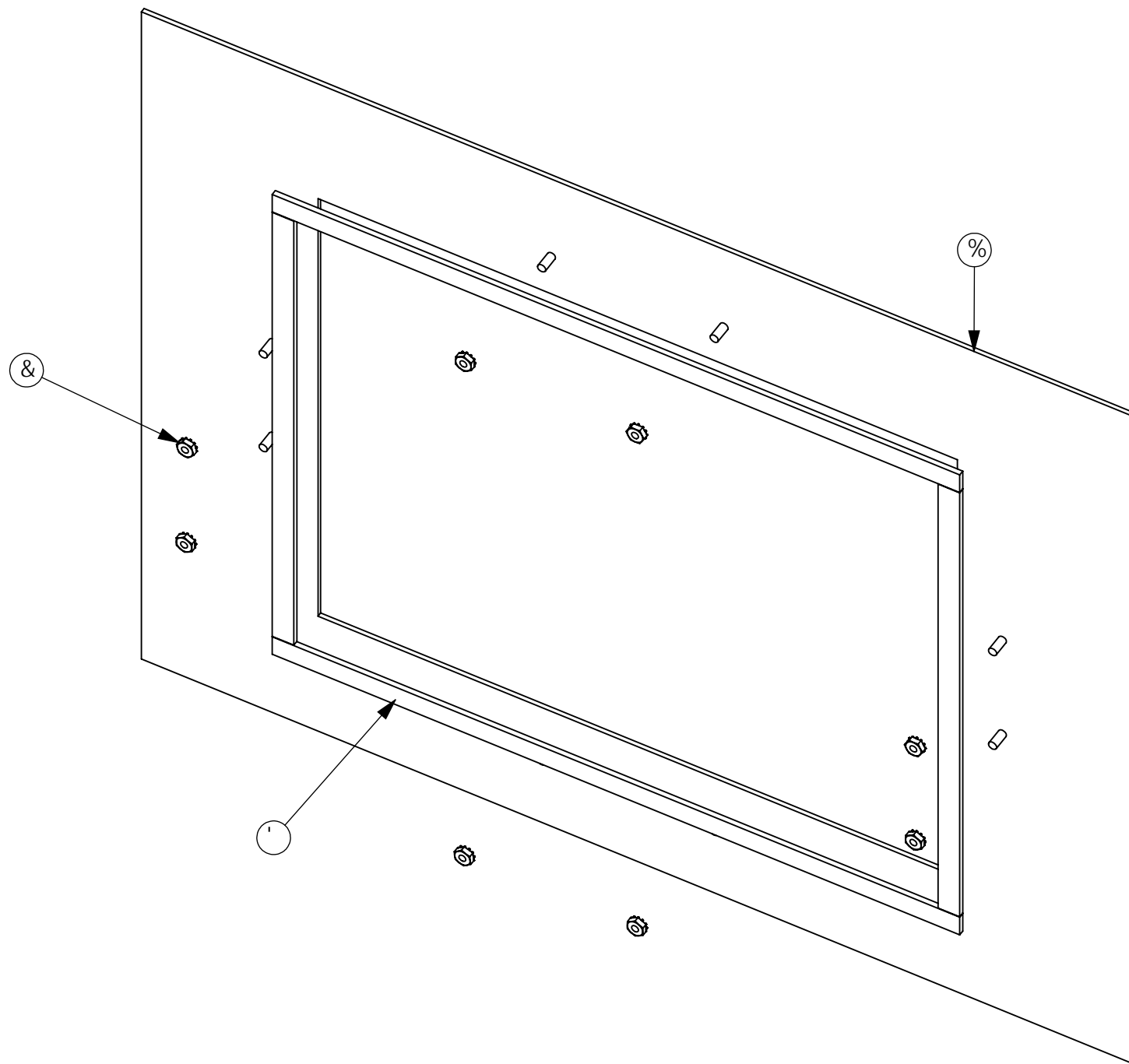
(-!&+\*)!%K G7

|      |             |                                      |           |     |              |
|------|-------------|--------------------------------------|-----------|-----|--------------|
| F9J* | NC B9       | 89G7 F DHC B                         | 97 'B"    | 6M  | 85H9         |
| 5    | !           | B #H5 @F9@95G9                       | !         | >5F | %\$#/* #-\$  |
| 6    | G<99H' 'cZ' | 7 <5B; 9'8-A :FCA '%*"+\$HC '%*"- \$ | &+ ' ) -  | >5F | %/#\$&#-\$   |
| 7    | !           | 89@9H98 (' !&%&*!\$\$                | &- * - \$ | >5F | \$' #&+ #/%& |

|           |      |                 |                                                                    |
|-----------|------|-----------------|--------------------------------------------------------------------|
| #9A 'BC " | E HM | D5FHBC "        | 89G7 F DHC B                                                       |
| %         | %    | (-!&+*)!%\$K G7 | A 9H5 @69N9@C B@M: C F '% "'@7 8 ; ' : #K C C 8 G+BCK B '7 56-B9HG |
| &         | ,    | (&\$\$- ' !\$\$ | B I Hž%\$!' &' <9L 'G9A GžNB7 'D@B                                 |
| '         | ) -  | (-!&+\$, !(\$   | : C 5A 'G95 @%#, "'Hk 7 ? 'L '%#&'K 89'58 <9GJ 9'657 ?98           |

7

8F5K B: BC"



Original  
By: Pepe Date:03/29/12 8:02

SUZO HAPP®

GAMING, AMUSEMENT AND INDUSTRIAL COMPONENTS

|               |                            |                                   |
|---------------|----------------------------|-----------------------------------|
| 8F5K B: B5A 9 | % "'@7 8 'A 9H5 @69N9@? #H | : C F 'K C C 8 G+BCK B '7 56-B9HG |
| 8F5K B '6M    | >5F                        | 85H9 %\$#/* #-\$ 7 <97?98 6M 85H9 |
| GAP           | G7 5@9                     | %: ' 8F5K B: BC"                  |
| 6             | G<99H                      | 9L 'G<99H%                        |
|               |                            | (-!&+*)!%K G7                     |
|               |                            | 7                                 |

|                               |                                                         |
|-------------------------------|---------------------------------------------------------|
| HC @F5B7 9G5F9                | 8C 'BCHG7 5@'8F5K B; "                                  |
| : F57HCBG 897-A5@G 5B; @G     | Hk-GDF-BH-GHk-9DFCD9FHC : <5DD7 C BHC @G-B7 "           |
| -%# & LL '± "%\$ - '\$\$ \$fi | 5B8 'G<5@BCH69F9DFC 81 7 98ž7 C D-98 'BC F '8-67 @C G98 |
| ! B@GGC H: 9FK @9 GD97 ÷ 98ž  | HC 'C H: 9FG" 'DF-BHHC '69F9H FB98 '1 DC B 'F9E '1 9GH  |
| 8-A 9BGC BG5F9-B 'B7 <9G      |                                                         |

%

&

(

)

8F5K B: BC\*

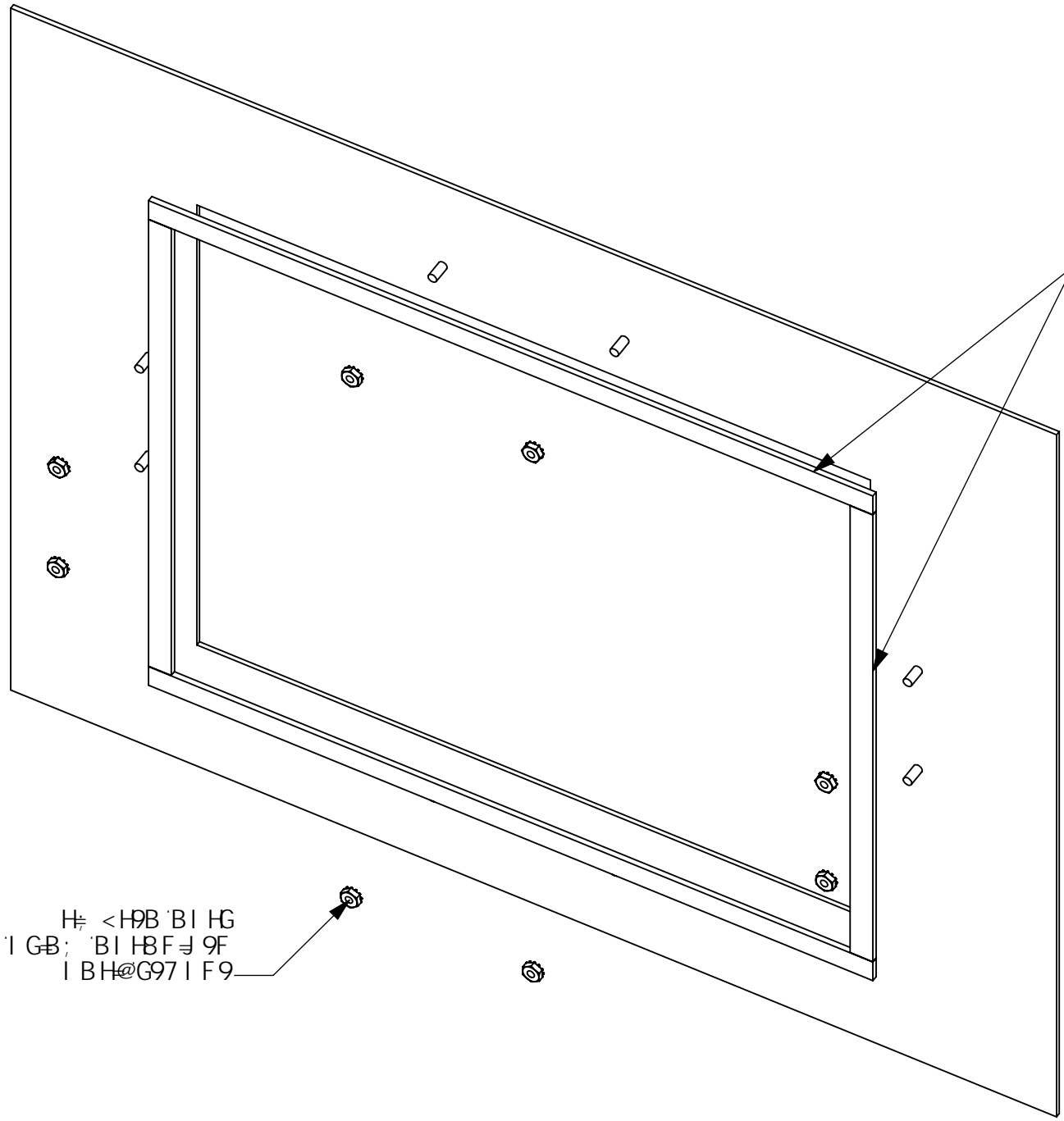
(-!&+\*)!% K G7

8

7

6

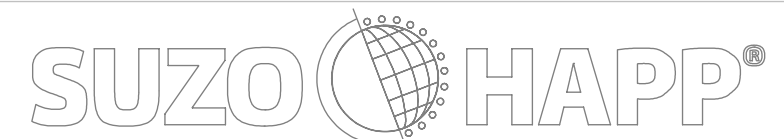
5



5DD@M: C 5A 'G95@(-!&+\*,!(\$''  
 5@5FCI B8 'K 9J -9K B; '5F95'

H# <H9B 'BI HG  
 6M<5B8 'I GB; 'BI HBF J 9F  
 I BH@G97 I F9

**Original**  
 By: Pepe Date:03/29/12 8:02



GAMING, AMUSEMENT AND INDUSTRIAL COMPONENTS

8F5K B: B5A 9  
 % "'@ 8 'A 9H5 @69N9@? #H  
 : CF'K CC 8 'G#BCK B '7 56B 9HG

|                                                                                         |                                                                                                                                                                                           |                                                |                                                                        |
|-----------------------------------------------------------------------------------------|-------------------------------------------------------------------------------------------------------------------------------------------------------------------------------------------|------------------------------------------------|------------------------------------------------------------------------|
| HC @F5B7 9G5F9<br>:F57HCBG 897-A5@ 5B; @G<br>-%# & LL'±""\$% -\$\$ \$fi<br>LLL'±""\$\$) | 8C 'BCHG7 5@'8F5K B; "<br>H-GDF-BH-GH-9DFC D9FHC : <5DD7 C BHC @G-B7 "<br>5B8 'G<5@BCH69F9DFC 81 7 98z7 C D 98 'BC F '8 67 @G98 '<br>HC 'C H: 9FG' 'DF-BHHC '69F9H FB98 'I DC B F9E I 9GH | 8F5K B '6M >5F 85H %\$#%* #\$. 7 <97?98 6M 85H | GAP 6 G7 5@9 %.' 8F5K B: BC* F9J* 7<br>G<99H 5GMG< 99H% (-!&+*)!% K G7 |
|-----------------------------------------------------------------------------------------|-------------------------------------------------------------------------------------------------------------------------------------------------------------------------------------------|------------------------------------------------|------------------------------------------------------------------------|

%

&

(

)

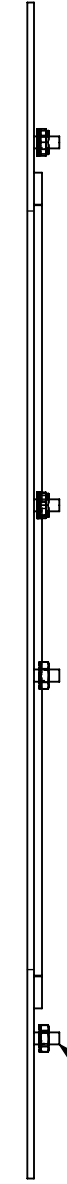
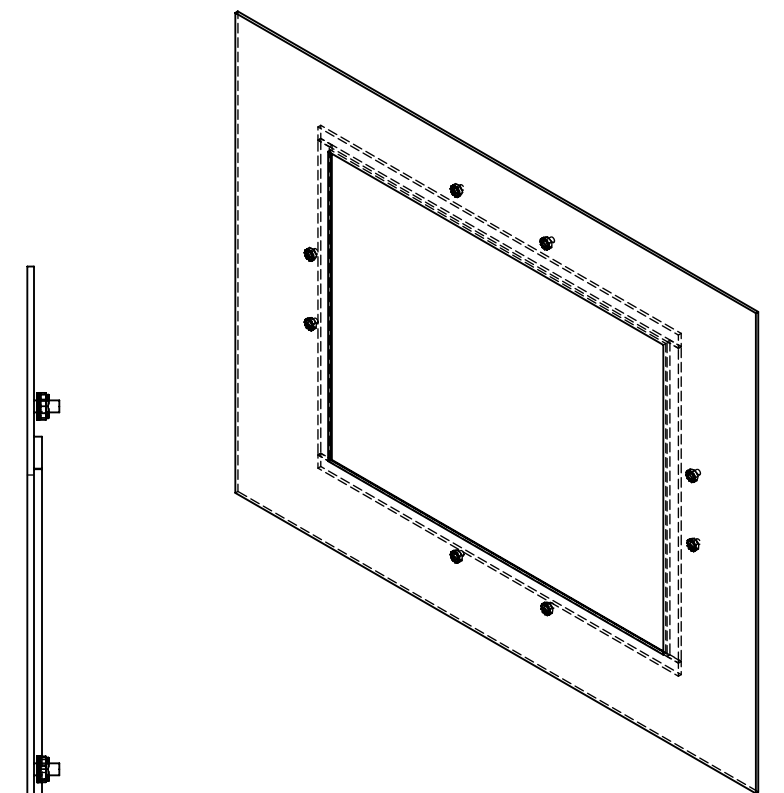
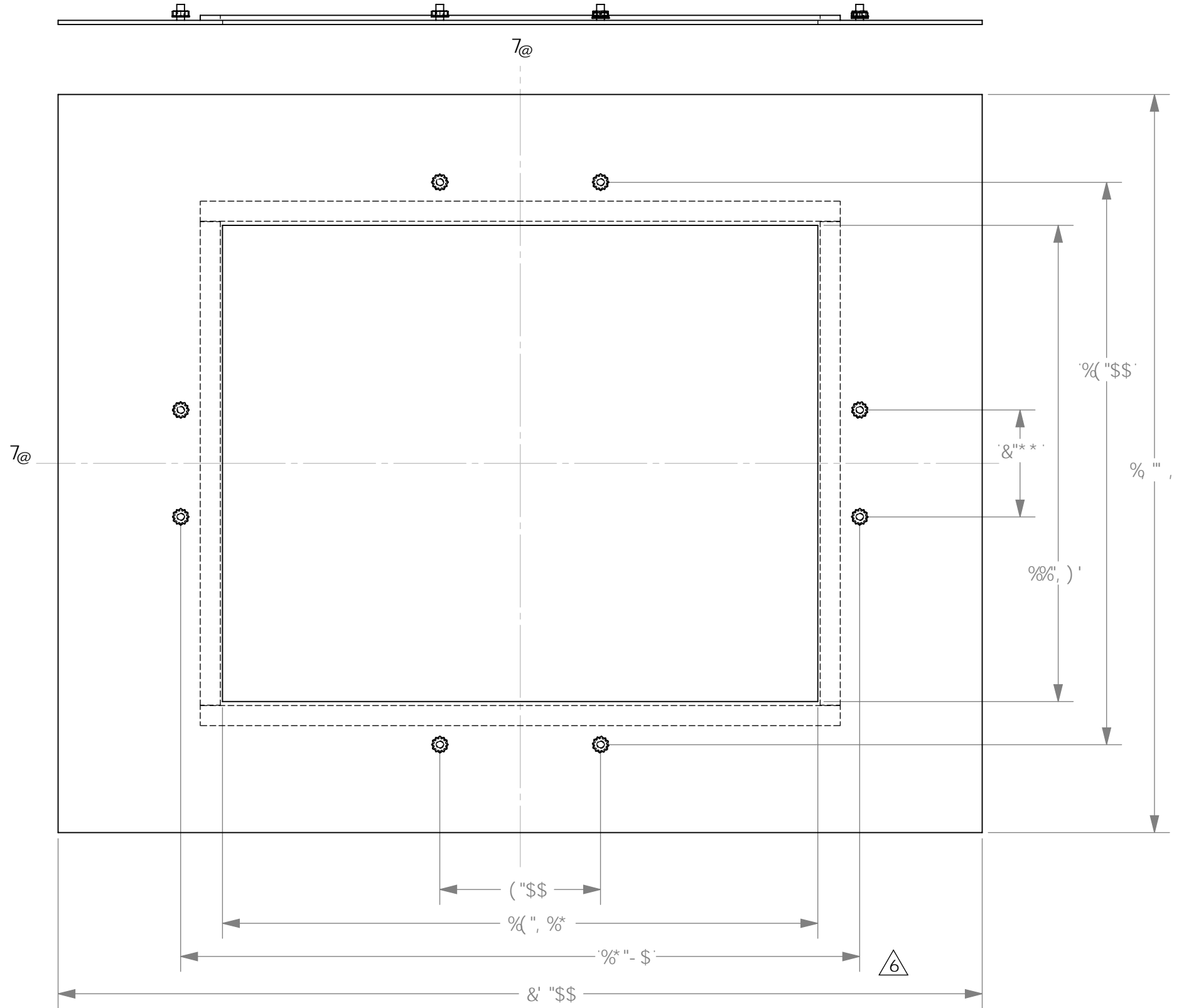
8F5K B: BC\*  
(-!&+\*)!% K G7

8

7

6

5



fj l%\$!' &L '%#&  
D9A 'GH 8

**SUZO HAPP**  
GAMING, AMUSEMENT AND INDUSTRIAL COMPONENTS

**Original**  
By: Pepe Date: 03/29/12 8:02

HC @F5B7 9G5F9.  
:F57HCBG 897-A5@G 5B; @G  
-%# & LL ± \"%\$ - \$\$ \$fi  
LLL ± \"%\$)  
I B @GGC H: 9FK @9 GD97 ± 98z  
8-A 9BGC BG5F9-B 'B7 <9G

8C 'BCHG7 5@'8F5K B; "  
H- GDF-BH-GH: 9DFC D9FHC : <5DD7 C BHC @G-B7 "  
5B8 'G<5@BCH69F9DFC 81 7 98z7 C D-98 'BC F' 8-G7 @G 98 '  
HC 'C H: 9FG' 'DF-BHHC '69F9H FB98 '1 DC B F9E I 9GH

|            |        |           |                |               |      |
|------------|--------|-----------|----------------|---------------|------|
| 8F5K B' 6M | >5F    | 85H9      | %\$#/* #\$.    | 7 < 97 798 6M | 85H9 |
| GAP        | G7 5@9 | %.        | 8F5K B: BC*    | F9J*          |      |
| 6          | G<99H  | 5GMG<99H% | (-!&+*)!% K G7 | 7             |      |